



GAMATRONIC

A SolarEdge Division



CENTRIC 480

MODULAR UPS

**An innovative, scalable
and transformerless
system 30kW to 1.2MW**



GAMATRONIC, A SolarEdge Division

47505 Seabridge Drive, Fremont, CA, 94538 USA

Tel: 1-800-277-5496 | SalesNA.Gama@solaredge.com | www.gamatronicna.com

CENTRIC 480

CENTRIC 480 Modular UPS 3x480 Vac

Gamatronic is proud to present our next stage in modular UPS systems - the **CENTRIC 480** UPS for 3x480 Vac power applications. The **CENTRIC 480** provides power protection and power backup.

MODULAR: **CENTRIC 480** is a modular, parallel, and redundant UPS featuring double conversion architecture. The system is composed of one to eight UPS modules, Dc to DC modules, a system controller and a static switch.

SCALABLE: **CENTRIC 480** is designed to grow as your power requirements increase. Its output capacity is easily scalable on-site by adding a hot plug-in 30 kW modules. The Centric 480 can be operated in a parallel configuration with up to five units for up to five times the power.

FOOTPRINT: The **CENTRIC 480's** footprint is less than 6 ½ sq. ft. (less than 0.6 m²).

FEATURES

- Online double-conversion architecture.
- User-friendly interface.
- AC-AC efficiency up to 96.8 %.
- High power output, small footprint.
- Transformerless design.
- Compatible with 3-wire infrastructure.
- 30kVA/kW power module
- Modular design provides easy scalability and service.
- A module can be replaced in minutes, without interruption to the load (hot swap).
- Self-loading
- ECO Mode
- Lightweight (44lbs)



*Choose the Centric 480 and increase your UPS capacity
dramatically with minimal floor space.*

Centric Efficiency

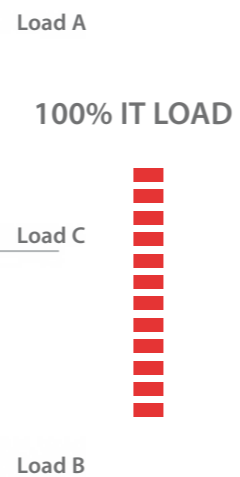
The Centric 480 is an extremely economical UPS system, achieving high efficiency versus load.

50% LOAD **CENTRIC 480** 240kW

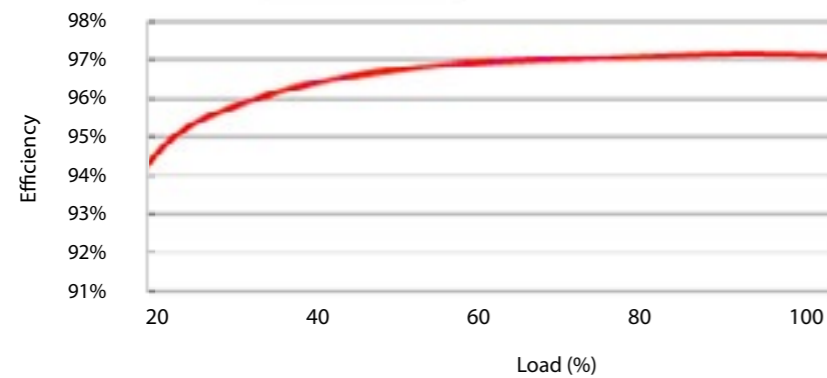


2N Application

50% LOAD **CENTRIC 480** 240kW



Efficiency vs. Load



CENTRIC 480 Power Density

79.4 in
(201.5 cm)



40.8 in
(103.5 cm)

23.62 in
(60 cm)

	240 kW Model	
Power Footprint:	249.2W/in ²	38.6W/cm ²
Power Density:	3.14W/in ³	0.1917W/cm ³

79.4 in
(201.5 cm)



40.8 in
(103.5 cm)

23.62 in
(60 cm)

7.87 in (20 cm)

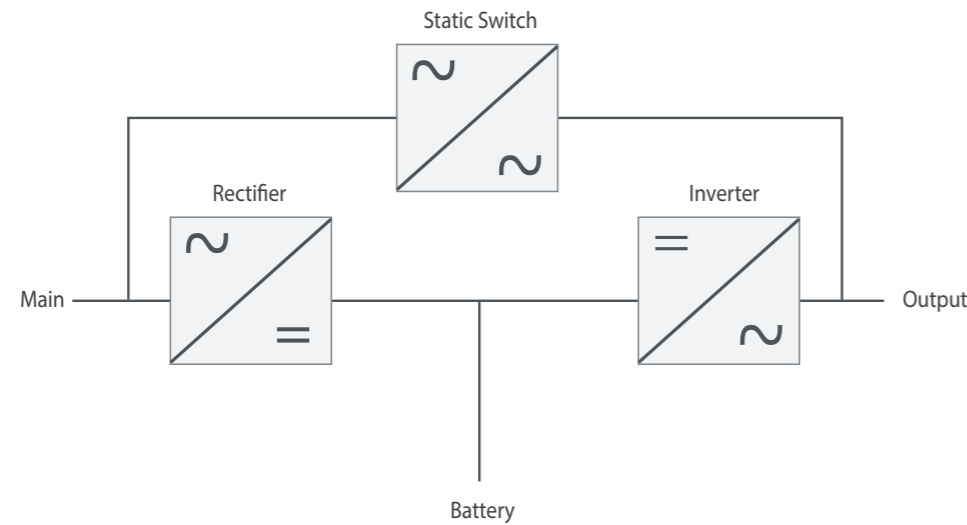
23.62 in
(60 cm)

7.87 in (20 cm)

23.62 in
(60 cm)

Static Switch

Parallel static switch topology ensures load safety providing reliable uninterruptible power.



Centric 480 System Controller

The Centric 480 state of the art system controller enhances data center management systems with its unique abilities. Its fast and intuitive touchscreen color display enables easy configuration and navigation for facilitating continuous monitoring of all the UPS components.

Display	7" color, LCD flat panel, touch sensitive
Other indicators	Audible alarm
Analog input channels	4 input dry contacts (N.O. / N.C.)*
Real-time clock (RTC)	Yes, with backup
Power meter	kVA, kW, PF
Volt-free outputs (dry contacts)	6 outputs, rated 48 V / 1 A *
Output dry contacts	Ac failure Dc failure UPS module(s) failure Load on bypass Battery test failure Over/under temperature Overload (Each system alarm type can be routed to the dry contact of your choice.)
Communication ports	Serial, Ethernet, USB
Communication protocols	RS232, RS485, TCP/IP, SNMP, Modbus
Communications with system modules	Serial, isolated
Events log	2000 events*
System operation without controller	Unchanged
On-screen parameters	Load bar-graph 3-phase voltages 3-phase currents Battery voltage Remaining battery backup time Status of each UPS module Static-switch parameters and status Battery sensor temperature
RTC operation without power	Indefinitely
Additional Features	Embedded web interface Power measurement Timed automatic shutdown of computer servers in battery mode Unlimited email notification to predefined lists



CENTRIC 480 System Specifications

Topology	Modular, double-conversion, VFI							
Operation	Continuous							
Input								
Voltage (Vac)	3x480 Vac, 4 wires + Gnd or 3 wires + Gnd							
Voltage range (%)	-20 / +10							
Current (A)	3x38 per module – no inrush current at startup							
Rectifier frequency (Hz)	50 ~ 70							
Power factor correction	>0.99							
THDI (%)	<3							
Inrush current	None							
Output								
Rated power (kVA / kW)	3 x 480							
Nominal frequency (Hz)	60							
Frequency tracking range (Hz)	±(0.5, 1, 2, 3, 4) selectable							
Frequency tracking slew rate (Hz/sec)	1							
Frequency in free-running mode (Hz)	60, ±0.1 %							
Nominal voltage (Vac)	3x480 Vac, 3 wires + Gnd							
Static voltage regulation (%)	±1							
Regulation for unbalanced load (%)	±1 for 100 % unbalanced load							
Dynamic response to 100 % load step (%)	±2							
Overload withstand	Inverter mode	110 % : 10 min, 125 % : 60 s, 150 % : 30 s						
	Bypass mode	125 % : 10 min, 1000 % : 1 cycle						
Waveform	Sinusoidal							
THD (%)	Linear load: <2; non-linear load: <6							
Load CF (max)	6:1							
AC-AC efficiency, nominal	Up to 96.8%							
Batteries								
Nominal voltage (Vdc)	480 (240 pole-to-midpoint)							
Charging voltage (Vdc)	540 (270 pole-to-midpoint)							
Quantity	2 x 20 x 12 Vdc							
Type	Sealed, lead acid, rechargeable, maintenance-free / ultra capacitors Li-ion batteries							
General								
Maximum power dissipation (W, Po=30 kW)	N*1217W (N*4153 BTU/h), where N = # modules							
Ambient temperature	(°C)	-10 ~ +40 (operating), -20 ~ +60 (storage)						
	(°F)	+14 ~ +104 (operating), -4 ~ +140 (storage)						
Relative humidity (%)	95, maximum, non-condensing							
Altitude (ft)	4921 without derating (1500m)							
Enclosure	IP20							
Cooling system	Multi-fan with speed control (forced)							
Design & manufacturing standards								
Safety	UL 1778 (4 th edition), IEC 62040-1							
EMC	FCC part 15/B, IEC 62040-2							
Design classification	IEC 62040-3							
Low magnetic field radiation	EMF as per ICNIRP							
Dimensions								
# of power modules	1	2	3	4	5	6	7	8
Power output (kW)	30	60	90	120	150	180	210	240
Weight (lbs)	454.4	495.6	583.1	624.4	711.9	753.1	840.6	881.9
Height (mm / inches)	2015 / 79.4							
Width (mm / inches)	600 / 23.6							
Depth (mm / inches)	1035 / 40.8							

All specifications are subject to change without advance notice.

* Depending on model



Gamatronic, A SolarEdge Division, provides reliable and flexible power solutions to ensure optimal power efficiency. Contact us for more information. Let our team of experts find a solution that would best serve your needs.

Our Power, Your Confidence

22112018

www.gamatronicna.com

